

**AIR DATA ACCESSORIES KIT  
MODEL No. ADA767-612  
BOEING 767 AIRCRAFT  
&  
BOEING KC-46A TANKER**



**AIR DATA ACCESSORIES KIT  
MODEL No. ADA767-612  
BOEING 767 AIRCRAFT  
&  
BOEING KC-46A TANKER**

**- Proprietary Information -**

The kit contains all the equipment required to test from source the complete pitot & static air data system on the Boeing 767 and the Boeing KC-46A aircraft, as well as the means of pre-testing all adaptors and hoses prior to being fitted to the aircraft.

**Pitot & Dual Static Test Adaptor**

**Part No. PSS76700-3-4-4 (4 req'd.)**

These units fit the pitot static probes 0856LU & 0856WB located on the nose and when installed they will isolate and test each system separately or simultaneously.

**Pre-Test Probe**

**Part No. PT17670 (4 req'd.)**

When it becomes necessary to test the integrity of the pitot & dual static test adaptors and/or hoses and test set, these units are installed into the pitot & dual static test adaptors thus simulating the pitot head.

**Static Test Adaptor**

**Part No. 33410LH-125-4 (2 req'd.)**

Two of these units supplied with the kit.

To install depress plunger. A slight rotation motion in each direction ensures a good seal.

This unit is self-sealing, locking aligning and testing as the protective cap is tightened before installation.

When using as a blanking adaptor, ensure that the blanking cap is tightened before installation.

The first dash number identifies the size of hole in the center of the static vent and the last dash number identifies the fitting size (-4) indicates 1/4" hose size.

**Pitot Test Hose Assembly**

**Part No. 767-133 (1 req'd.)**

This hose is connected to each pitot inlet of the adaptors and is fitted with double acting quick disconnects for use when it is desirable to test only one pitot system.

The connection to the pitot outlet of the pneumatic generator is included on this assembly.

**Static Test Hose Assembly**

**Part No. 767-212 (4 req'd.)**

These hoses are connected between the control box and the relative connections on the pitot & dual static test adaptors.

**Static Test Hose Assembly**

**Part No. 767-111 (1 req'd.)**

This assembly is connected to the supply side of the control console and to the static position of the pneumatic tester.

**Static Input Test Hose Assembly**

**Part No. 767-211 (1 req'd.)**

This hose assembly is used when it is desirable to use only positions 1 to 4 or position 5.

**Alternate Static Test Hose Assembly**

**Part No. 767-105 (1 req'd.)**

This hose is connected to the alternate static outlet of the control box and is supplied with it's own separate vacuum source which can be shut-off from the front panel. The 33410LH-125-4 static test adaptor is connected thereto and the adaptor to blank off the opposite side of the aircraft is stowed in the case.

July 19, 2021



**AIR DATA ACCESSORIES KIT  
MODEL No. ADA767-612  
BOEING 767 AIRCRAFT  
&  
BOEING KC-46A TANKER**

**- Proprietary Information -**

**Vacu-Grip Assembly**

**Part No. 421-8971 (1 req'd.)**

One of these units is supplied with each kit to provide a means of support for static system test hose assemblies.

**Control Console**

**Part No. 421-767 (1 req'd.)**

This contains all necessary shut-off valves, connections for test hoses and vacuum supply and all outlets, etc. are identified thereon.

**Lubricating Fluid**

**Part No. LF5050 (1 req'd.)**

This fluid is used to lubricate the glands of the pitot & dual static and pitot static test adaptors.

Only a very small amount is needed to lubricate the adaptor's interior glands before installing the adaptors onto the aircraft probes.

This process will help to prolong the life of the seals as well as facilitate a smooth installation of the applicable adaptor onto the corresponding aircraft probe.

Using only 1 or 2 drops, apply a thin film coating onto the surface of the applicable Pre-Test Probe(s).

Then, while using a slight CW/CCW rotation, insert the Pre-Test Probe into the adaptor when setting-up for the 'Pre-Test' stage of the ADTU before hooking up to the aircraft's probes.

***WARNING: Nav-Aids Ltd. ® P/N LF5050, Lubricating Fluid, is the only approved lubricant for this purpose. The use of any other substance may very well have adverse effects that could contribute to a Flight Safety Hazard.***

**Seal Kit - Part No. SK767 (2 req'd.)**

Two sets of spare seals for pitot & dual static test adaptors are stowed in the case.

**Seal - Part No. 334-7 (4 req'd.)**

Four spare seals for the static test adaptors are stowed in the case.

**Manual - Part No. 444-767**

One manual is supplied with each kit.

The equipment is enclosed in case assembly **Model No. NANUK960-767.**

**Customer Support**

For information or to order replacement parts for this kit or for other types of aircraft, please contact us:

**Nav-Aids Ltd.  
2955 Diab Street  
Montreal, QC.  
H4S 1M1  
Canada**

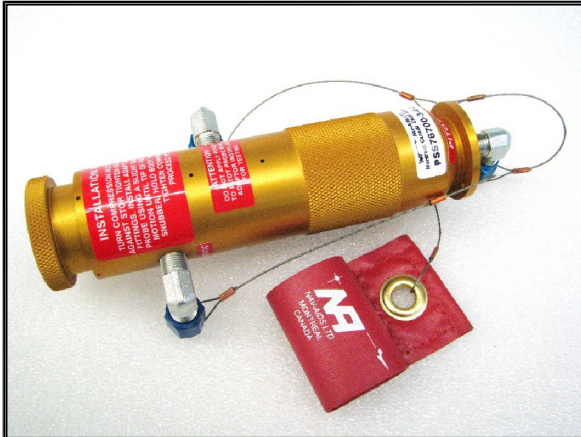
**Tel: 514 332-3077  
Toll Free: 877-332-3055  
Fax: 514 332-6711**

**E-mail: [info@navaidsltd.net](mailto:info@navaidsltd.net)**

**Website: [www.navaidsltd.net](http://www.navaidsltd.net)**

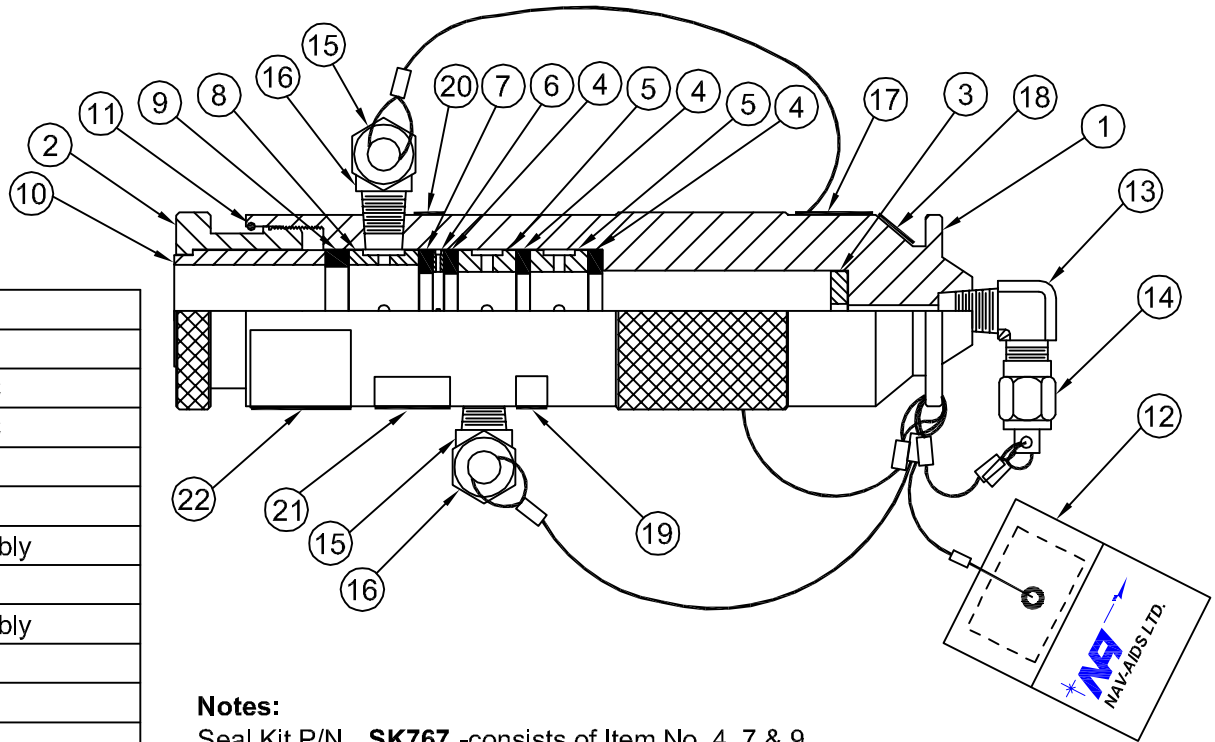
July 19, 2021

# PROPRIETARY DOCUMENT



## Revision History

Rev.	Description	Date	Approved By
03	Title Block revised, Item No. 17 P/N. modified.	July 14, 2009	B.D.G.
04	Item No. 22, Part Number revised.	Sept. 21, 2015	B.D.G.
05	Item No. 13 & 15, Part Numbers revised.	Mar. 28, 2017	B.D.G.



**Notes:**

Seal Kit P/N. **SK767** -consists of Item No. 4, 7 & 9.  
 Seal and Spacer Kit P/N. **SSK767** -consists of Item No. 3 to 10.  
 Dimensions are in inches.

22	1	767-93	Label , Instruction
21	1	767-201	Label , Warning
20	1	767-181	Label , NO.2 STATIC
19	1	767-171	Label , NO.1 STATIC
18	1	767-161	Label , PITOT
17	1	767-191-3-4-4	Label , Identification
16	2	AN929-A4D	Blanking Cap Assembly
15	2	NAEF-4	Fitting
14	1	AN929-A3D	Blanking Cap Assembly
13	1	NAEF-3	Fitting
12	1	767-11L	Streamer Assembly
11	1	767-151	Circlip
10	1	767-8	Sleeve
9	1	767-7	Gland ( 0.780 x 1.110 x .210 )
8	1	767-6	Spacer
7	1	767-712	Gland ( 0.665 x 1.110 x .125 )
6	1	767-5	Spacer
5	2	767-4	Spacer
4	3	767-71	Gland ( 0.655 x 1.110 x .125 )
3	1	767-3	Snubber
2	1	767-2	Compression nut
1	1	767-1	Body



2955 DIAB  
 Montreal, Quebec  
 CANADA H4S 1M1

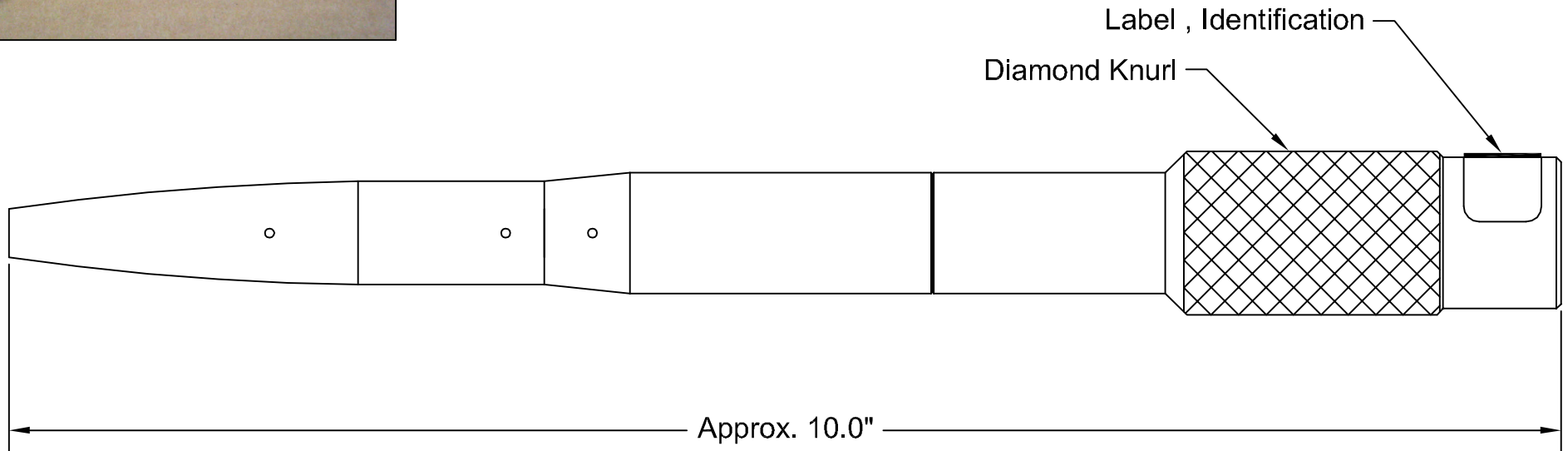
## PITOT & DUAL STATIC TEST ADAPTOR

Item No.	Qty.	Part Number	Description	Size	CAGE Code	Checked By	Approved By	Date	Part Number	Rev. No.
				A	38002	G.H.	J.D.G.	Feb. 21, 2006	PSS76700-3-4-4	05


# PROPRIETARY DOCUMENT



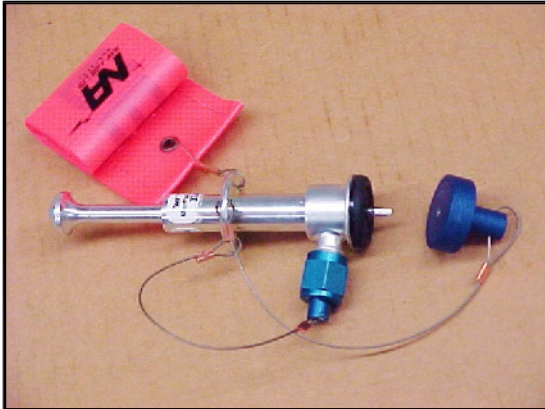
Revision History			
Rev.	Description	Date	Approved By
01	Title block revised and redrawn.	April 21, 2005	J.D.G.
02	Title block revised, Photo updated.	Feb. 12, 2010	B.D.G.



**Note:**  
Dimensions are in inches.

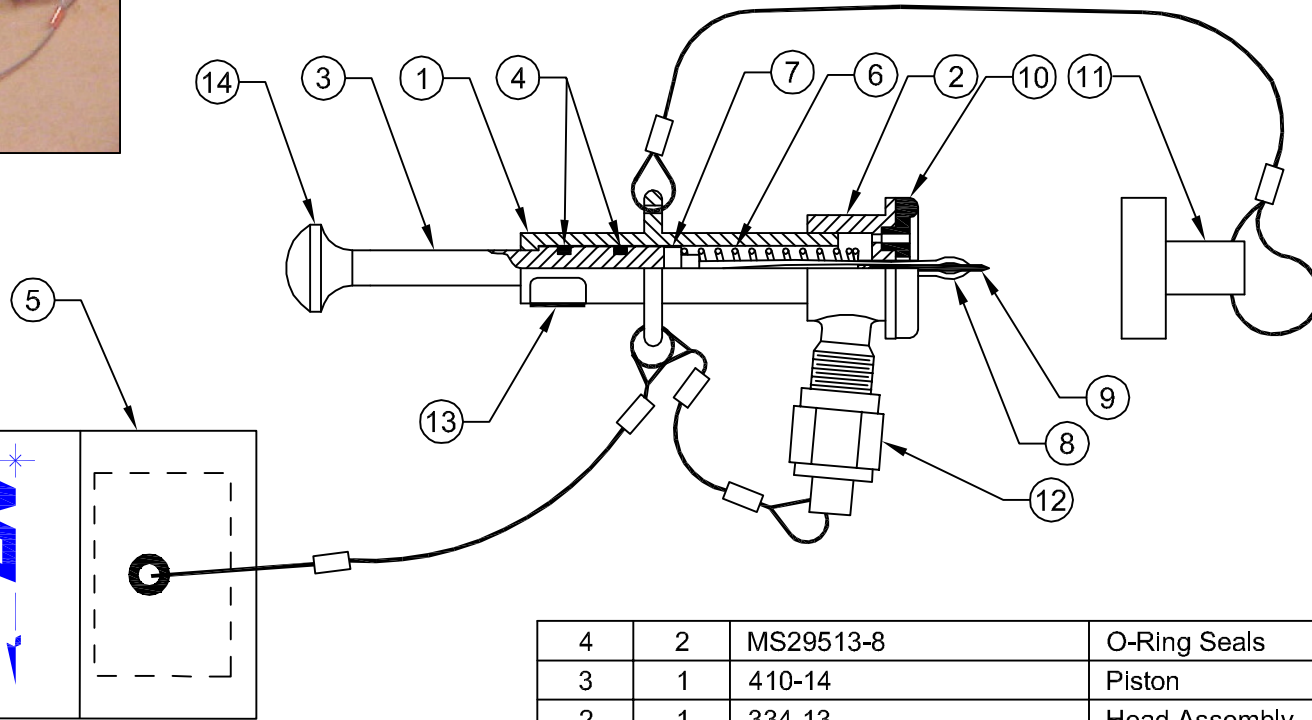
				2955 DIAB Montreal, Quebec CANADA H4S 1M1		
<b>PRE-TEST PROBE</b>						
Size	CAGE Code	Checked By	Approved By	Date	Part Number	Rev. No.
A	38002	G.H.	J.D.G.	Feb., 1989	PT17670	01

# PROPRIETARY DOCUMENT



## Revision History

Rev.	Description	Date	Approved By
02	Title block revised and redrawn.	Feb. 20, 2006	J.D.G.
03	Item No. 13, Part Number 334-20 revised .	Oct. 27, 2016	B.D.G.



4	2	MS29513-8	O-Ring Seals
3	1	410-14	Piston
2	1	334-13	Head Assembly
1	1	410-11	Body Assembly
Item No.	Qty.	Part Number	Description

14	1	334-2	Button
13	1	LH-125-4-92	Label , Identification
12	1	AN929-A4D	Blanking Cap Assembly
11	1	334-53	Protector Assembly
10	1	334-7	Seal
9	1	334-33	Guide
8	1	334-23	Jaw Assembly
7	1	410-17	Nut
6	1	410-16	Spring
5	1	410-19	Streamer Assembly
Item No.	Qty.	Part Number	Description



2955 DIAB  
Montreal, Quebec  
CANADA H4S 1M1

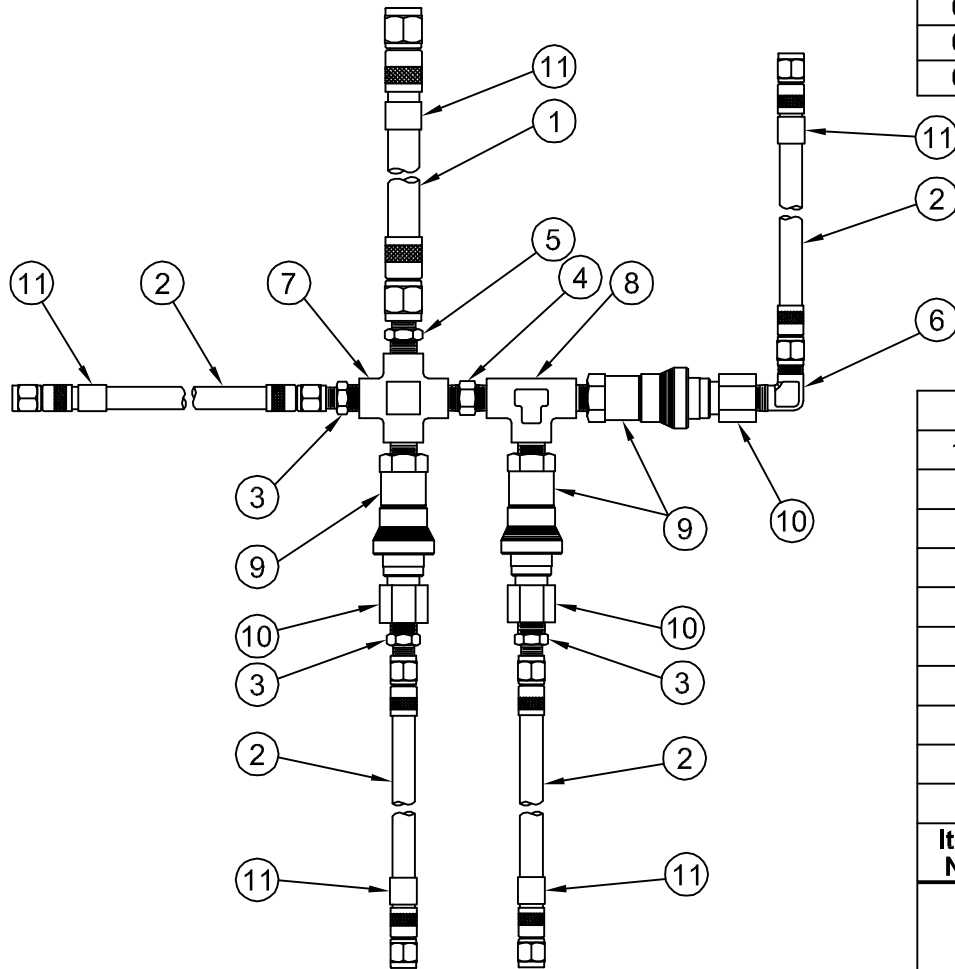
## STATIC TEST ADAPTOR

Size	CAGE Code	Checked By	Approved By	Date	Part Number	Rev. No.
A	38002	G.H.	J.D.G.	Dec. 1968	33410LH-125-4	03

# PROPRIETARY DOCUMENT

## Revision History

Rev.	Description	Date	Approved By
02	Title block revised & redrawn, Item #11 added	Feb. 22, 2006	J.D.G.
03	Title block revised, Item No. 3 Quantity corr.	June 21, 2007	J.D.G.
04	Title block revised, Item No. 3 & 5 P/N. modified.	Feb. 3, 2010	B.D.G.
05	Item No. 1 & 2, Part Numbers revised.	June 24, 2015	B.D.G.
06	Item No. 6, Part Number revised.	April 25, 2017	B.D.G.



11	5	WSLM33	Label , Identification
10	3	B-QC4-D-2PF	Quick Connect Stem
9	3	B-QC4-B-2PM	Quick Connect Socket
8	1	AN917-1D	Tee
7	1	AN918-1D	Cross
6	1	NAEF-3	Elbow
5	1	AN816-4D	Nipple
4	1	AN911-1D	Male Union
3	3	AN816-3D	Nipple
2	4	NAHA-3-240	Hose Assembly
1	1	NAHA-4-180	Hose Assembly
Item No.	Qty.	Part Number	Description



2955 DIAB  
Montreal, Quebec  
CANADA H4S 1M1

## PITOT TEST HOSE ASSEMBLY

Size	CAGE Code	Checked By	Approved By	Date	Part Number	Rev. No.
A	38002	G.H.	J.D.G.	Sept., 1993	767-133	06

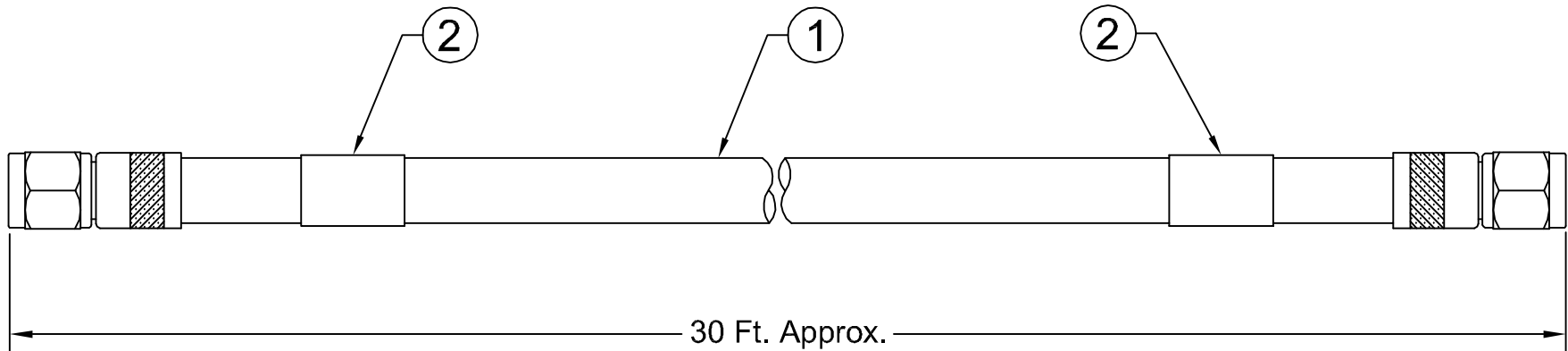
**Note:**

Last digits of Hose Assembly Part Number designates length of hose in inches.

# PROPRIETARY DOCUMENT

## Revision History

Rev.	Description	Date	Approved By
03	Title block revised and redrawn.	May 4, 2009	B.D.G.
04	Item No. 1, Part Number revised, Hose Fittings incorporated into Hose Assembly.	May 11, 2015	B.D.G.



2	2	WSLM33	Label , Identification
1	1	NAHA-4-360	Hose Assembly
Item No.	Qty.	Part Number	Description



2955 DIAB  
Montreal, Quebec  
CANADA H4S 1M1

### STATIC TEST HOSE ASSEMBLY

Size	CAGE Code	Checked By	Approved By	Date	Part Number	Rev. No.
A	38002	G.H.	J.D.G.	Sept., 1993	767-212	04

**Notes:**

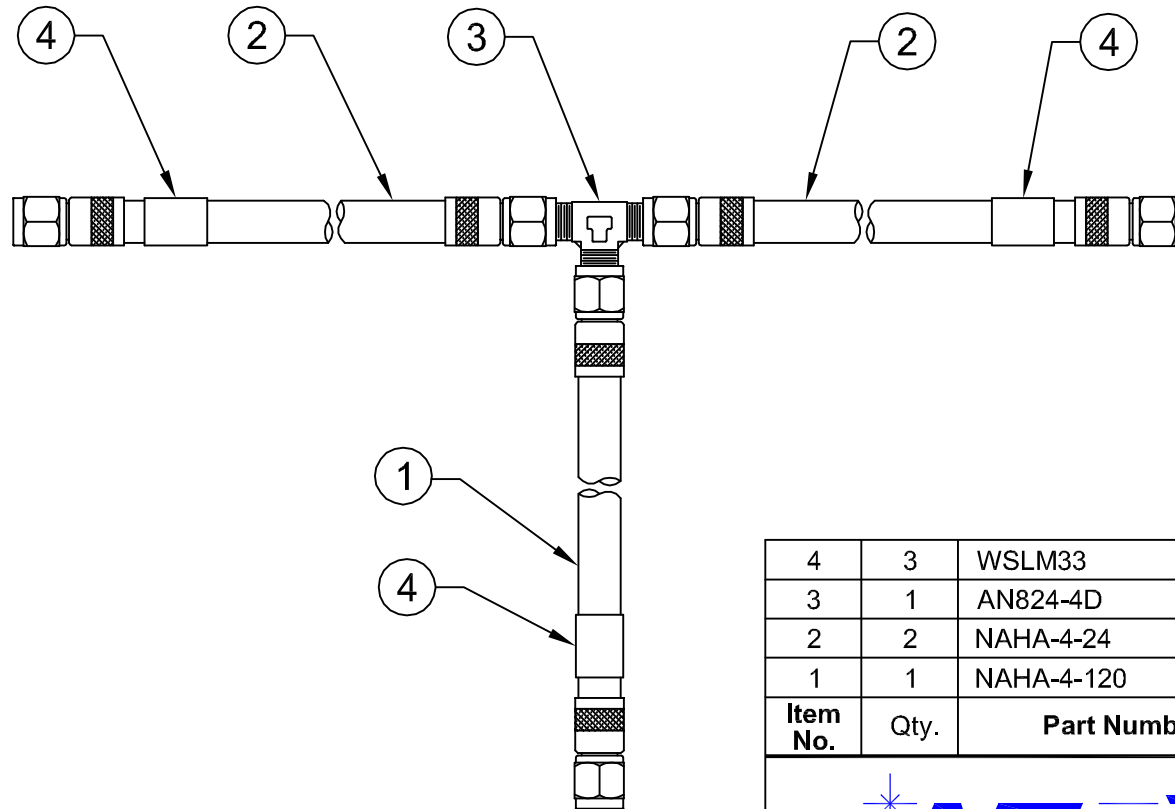
- Last digits of Hose Assembly Part Number designates length of hose in inches.



# PROPRIETARY DOCUMENT

## Revision History

Rev.	Description	Date	Approved By
03	Title block revised, Drawing Name change.	Feb. 20, 2008	J.D.G.
04	Item No. 1 & 2, Part Number revised, Hose Fittings incorporated into Hose Assembly.	May. 11, 2015	B.D.G.



4	3	WSLM33	Label , Identification
3	1	AN824-4D	Tee
2	2	NAHA-4-24	Hose Assembly
1	1	NAHA-4-120	Hose Assembly
Item No.	Qty.	Part Number	Description



2955 DIAB  
Montreal, Quebec  
CANADA H4S 1M1

### STATIC INPUT TEST HOSE ASSEMBLY

Size	CAGE Code	Checked By	Approved By	Date	Part Number	Rev. No.
A	38002	G.H.	J.D.G.	Sept. 1993	767-111	04

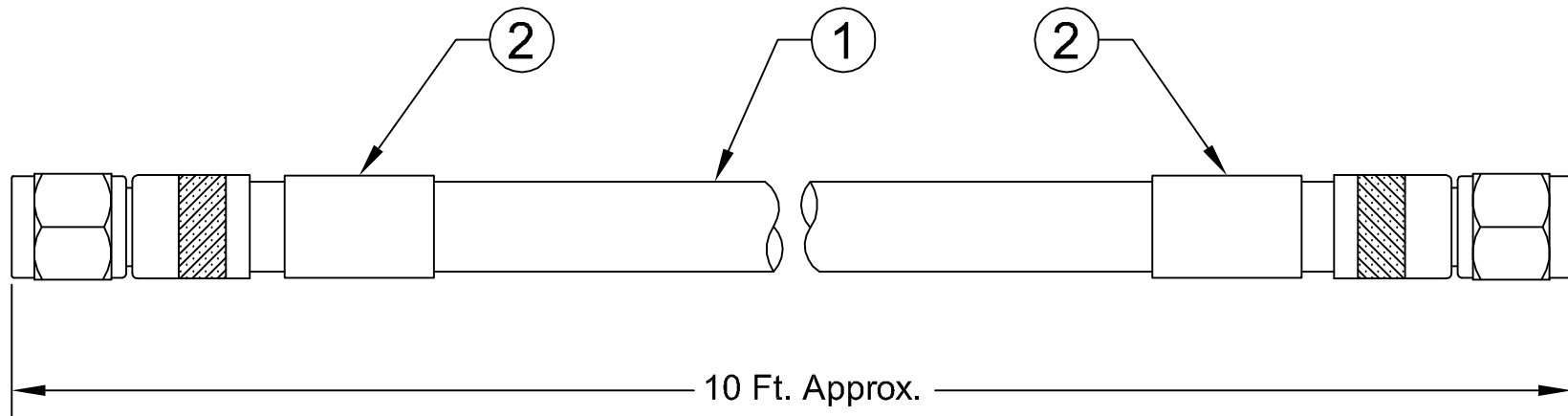
**Note:**

Last digits of Hose Assembly Part Number designates length of hose in inches.

# PROPRIETARY DOCUMENT

## Revision History

Rev.	Description	Date	Approved By
02	Title block revised and redrawn.	Feb. 22, 2006	J.D.G.
03	Item No. 1, Part Number revised, Hose Fittings incorporated into Hose Assembly.	May 11, 2015	B.D.G.



2	2	WSLM33	Label , Identification
1	1	NAHA-4-120	Hose Assembly
Item No.	Qty.	Part Number	Description



2955 DIAB  
Montreal, Quebec  
CANADA H4S 1M1

### STATIC INPUT TEST HOSE ASSEMBLY

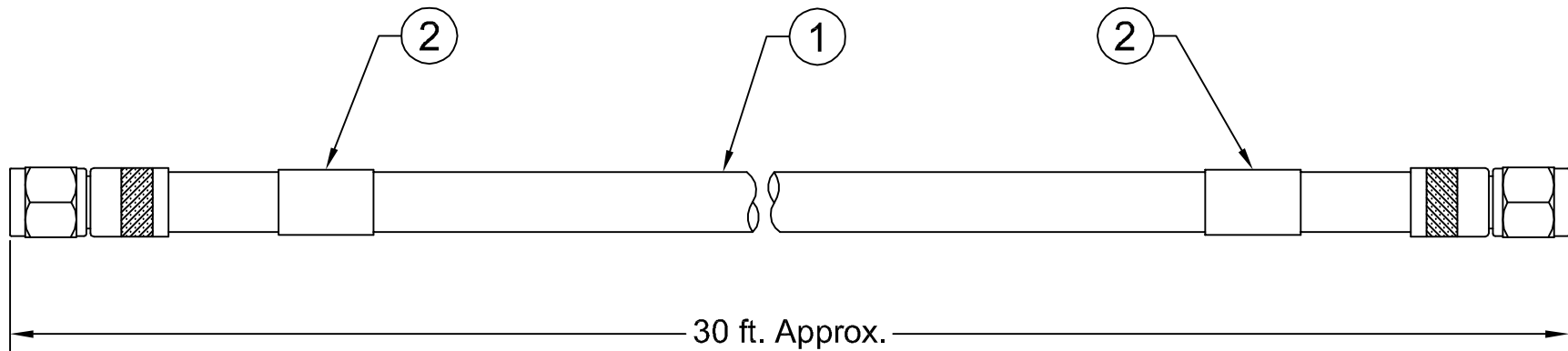
Size	CAGE Code	Checked By	Approved By	Date	Part Number	Rev. No.
A	38002	G.H.	J.D.G.	Sept., 1993	767-211	03

**Note:**

Last digits of Hose Assembly Part Number designates length of hose in inches.


# PROPRIETARY DOCUMENT

Revision History			
Rev.	Description	Date	Approved By
01	Title block revised and redrawn.	April 18, 2005	J.D.G.
02	Title block revised and redrawn.	Feb. 22, 2006	J.D.G.
03	Item No. 1, Part Number revised and Hose Fittings incorporated into Hose Assembly.	May 28, 2015	B.D.G.

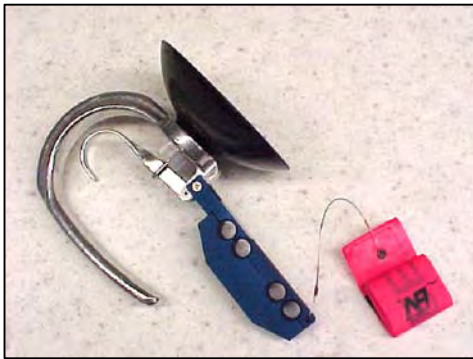


**Notes:**

- Static Adaptor P/N. **33410LH-125-4** must be used with Alternate Static Hose Assembly P/N. **767-105**
- Last digits of Hose Assembly Part Number designates length of hose in inches.

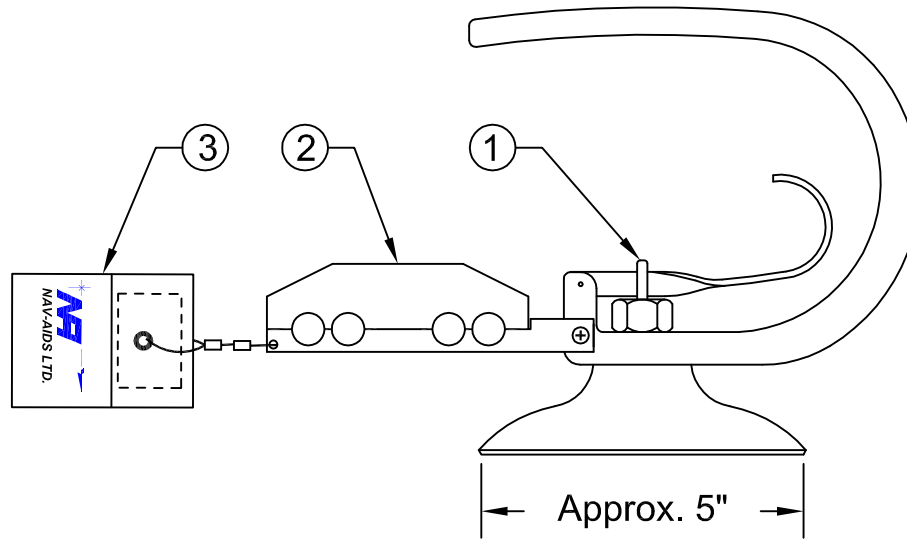
2	2	WSLM33	Label , Identification			
1	1	NAHA-4-360	Hose Assembly			
Item No.	Qty.	Part Number	Description			
			2955 DIAB Montreal, Quebec CANADA H4S 1M1			
ALTERNATE STATIC TEST HOSE ASSEMBLY						
Size	CAGE Code	Checked By	Approved By	Date	Part Number	Rev. No.
A	38002	G.H.	J.D.G.	Sept., 1993	767-105	03

# PROPRIETARY DOCUMENT



## Revision History

Rev.	Description	Date	Approved By
01	Title block revised and redrawn.	April 11, 2005	J.D.G.



3	1	421-8971-3	Streamer Assembly
2	1	421-8971-2	Hose Retainer (Holds 4 hoses of size -4)
1	1	421-8971-1	5" Suction Cup Assembly
Item No.	Qty.	Part Number	Description



2955 DIAB  
Montreal, Quebec  
CANADA H4S 1M1

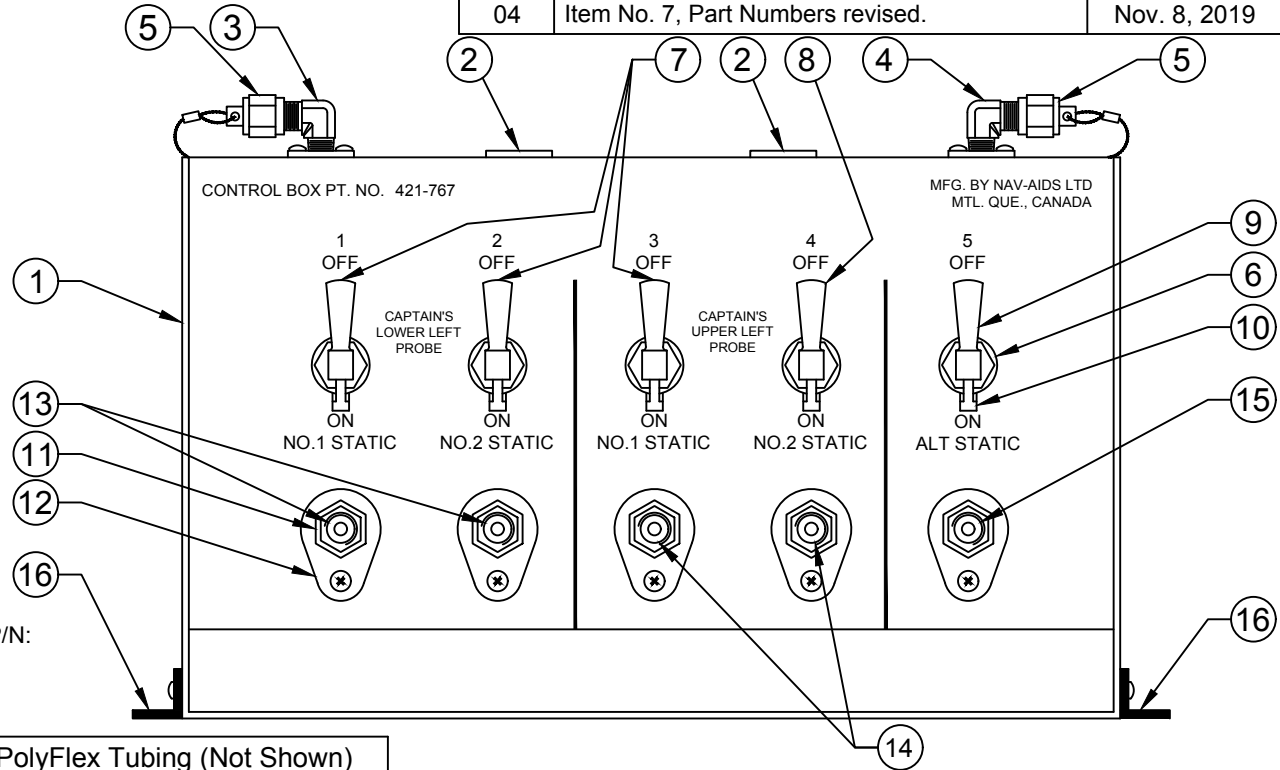
## VACU-GRIP ASSEMBLY

Size	CAGE Code	Checked By	Approved By	Date	Part Number	Rev. No.
A	38002	M. Freda	J.D.G.	Oct. 1989	421-8971	01

# PROPRIETARY DOCUMENT



Revision History			
Rev.	Description	Date	Approved By
03	Item No. 3 & 4, Part Numbers revised.	April 25, 2017	B.D.G.
04	Item No. 7, Part Numbers revised.	Nov. 8, 2019	B.D.G.



**Notes:**

- Selector Switch P/N: B-1GF2-A-POS123-767 includes P/N: B-400-2-2, P/N: B-400-3TMT & P/N: B-1GF2-A.
- Dimensions are in inches.

17	-	TP-66-1/4"	PolyFlex Tubing (Not Shown)
16	4	AB-150-AL	Aluminum Mounting Bracket
15	1	AN816-4D	Alternate Static Outlet
14	2	AN816-4D	Static Outlet (Upper Left)
13	2	AN816-4D	Static Outlet (Lower Left)
12	5	SS-402-61F	Bulkhead Retainer
11	5	B-400-71-2	Bulkhead
10	5	B-5K-14G	Toggle Handle Position Kit
9	1	B-1GS4-A-POS5	Selector Switch Pos. 5
8	1	B-1GS4-A-POS4	Selector Switch Pos. 4
7	3	B-1GF2-A-POS123-767	Selector Switch Pos. 1, 2, 3
6	5	AN960C	Washer
5	2	AN929-A4D	Blanking Cap Assembly
4	1	NAEF-4	Alternate Static Inlet
Item No.	Qty.	Part Number	Description

3	1	NAEF-4	Static Inlet
2	2	421-767-C17	Static Pre-Test Port
1	1	421-767-P	Panel
Item No.	Qty.	Part Number	Description

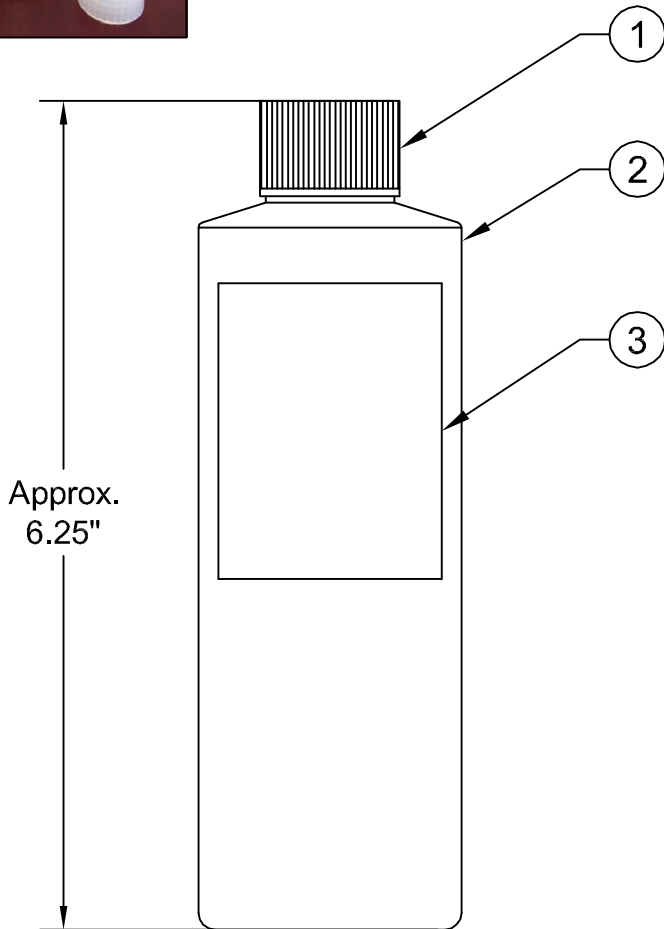


2955 DIAB  
Montreal, Quebec  
CANADA H4S 1M1

## CONTROL CONSOLE

Size	CAGE Code	Checked By	Approved By	Date	Part Number	Rev. No.
A	38002	G.H.	J.D.G.	July 19, 2005	421-767	04

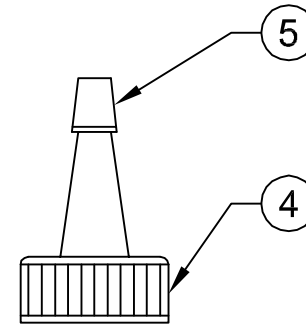
# PROPRIETARY DOCUMENT



Note:  
Dimensions are in inches.

## Revision History

Rev.	Description	Date	Approved By
02	Photo added.	Aug. 25, 2004	J.D.G.
03	Item Name Corrected	Jan. 28, 2011	B.D.G.
04	Lubricating Fluid Label revised.	Dec. 20, 2017	B.D.G.



5	1	Cap
4	1	Distributing Cap
3	1	Label
2	1	8 oz. Bottle
1	1	Cap

Item No.	Qty.	Description
----------	------	-------------



2955 DIAB  
Montreal, Quebec  
CANADA H4S 1M1

**LUBRICATING FLUID**  
**NSN: 9150-21-920-6522**

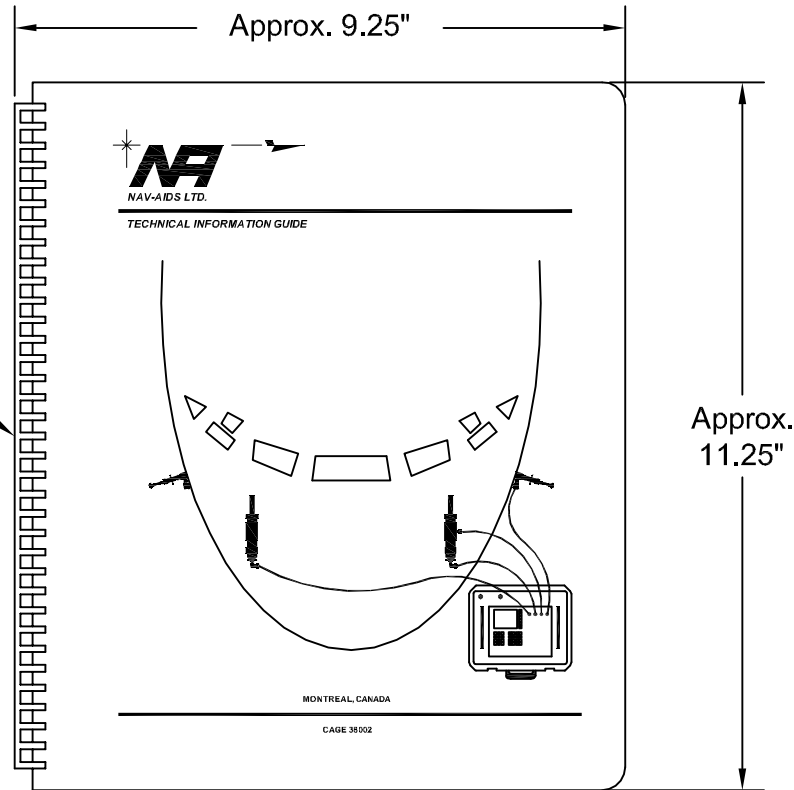
Size	CAGE Code	Checked By	Approved By	Date	Part Number	Rev. No.
A	38002	G.H.	J.D.G.	Aug. 25, 2004	LF5050	04

# PROPRIETARY DOCUMENT



Revision History			
Rev.	Description	Date	Approved By
01	Part Numbers within Drawings revised.	Sept. 21, 2015	B.D.G.

Spiral Type Binding



2955 DIAB  
Montreal, Quebec  
CANADA H4S 1M1

## MANUAL (INSTRUCTIONS AND PARTS LISTS)

**Note:**  
Dimensions are in inches.

Size	CAGE Code	Checked By	Approved By	Date	Part Number	Rev. No.
A	38002	G.H.	J.D.G.	Feb. 22, 2006	444-767	01